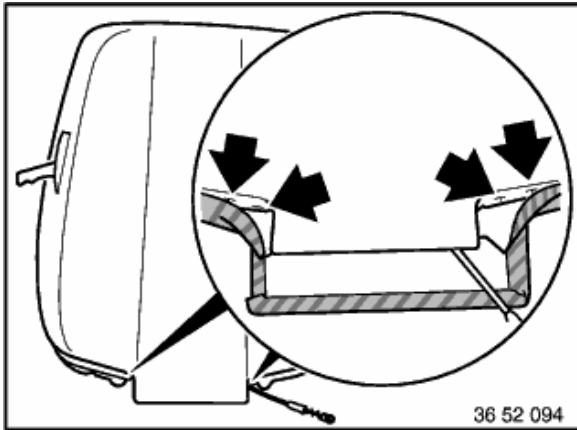


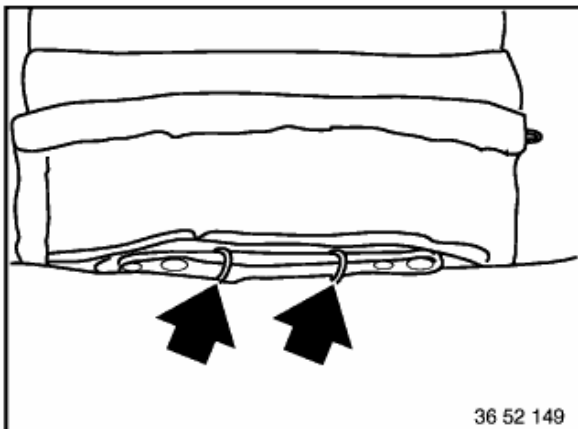
Removing backrest shell,
refer to 52 10 082



Loosen retainers at bottom.

Installation:

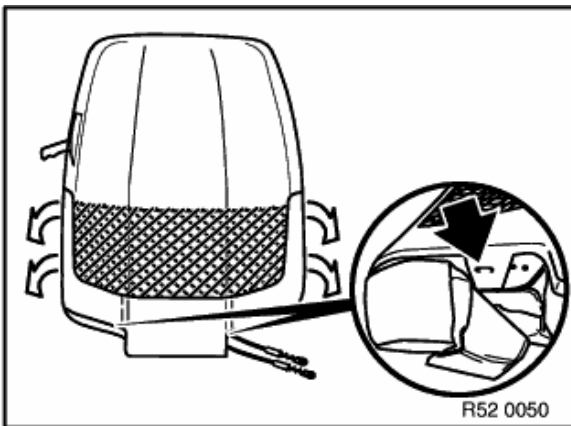
Secure clips (16 mm long), with air pressure tacker (sourcing reference BMW Parts Service).



Loosen retainers.

Installation:

Lock new retainers by bending with special tool 52 0 050.

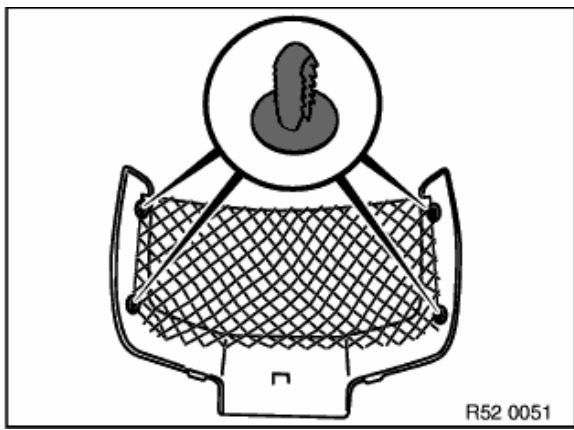


Version with luggage net:

If necessary, unfasten clips underneath and unclip luggage net from side.

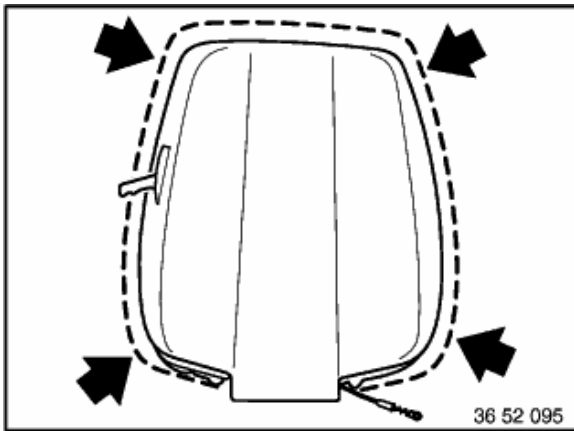
Installation:

Secure clips (16 mm long) with air pressure tacker (sourcing reference BMW Parts Service).

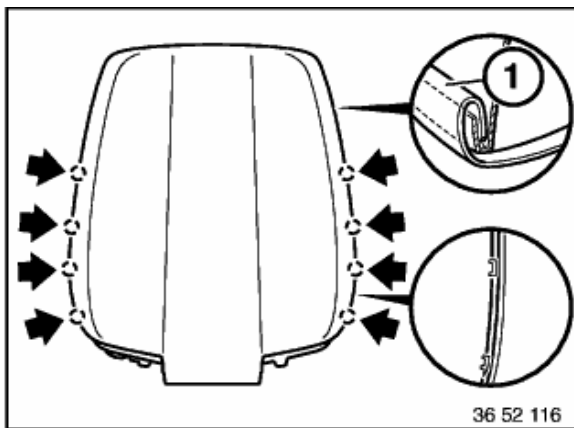


Installation:

If necessary, replace defective clip on luggage net.

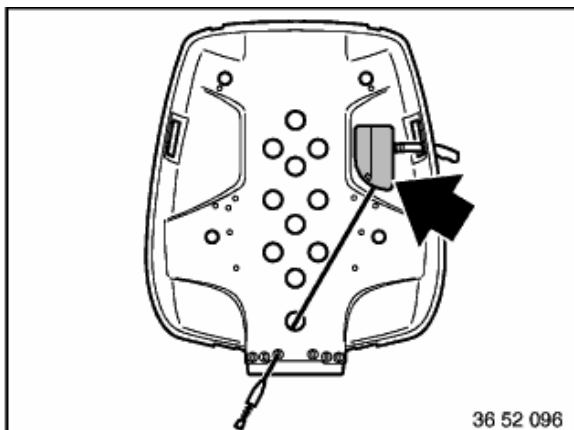


Unclip seat cover all around and remove it together with padding.

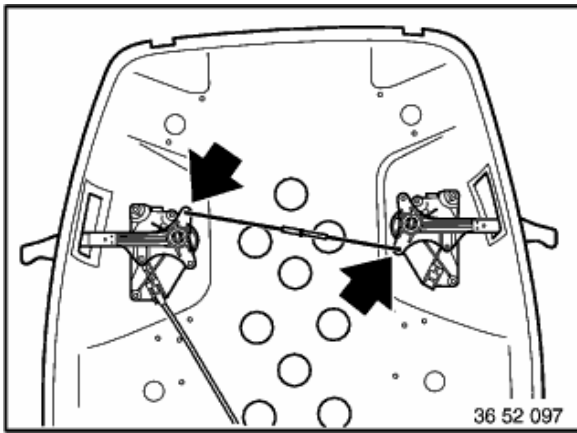


Installation:

The spring clips in the plug-in groove must not be damaged; replace them if necessary.



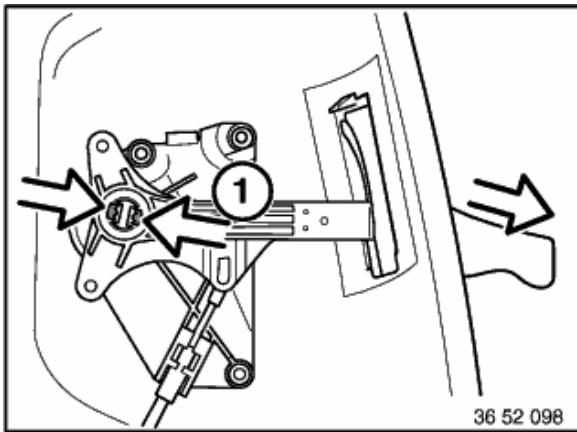
Unclip cover.



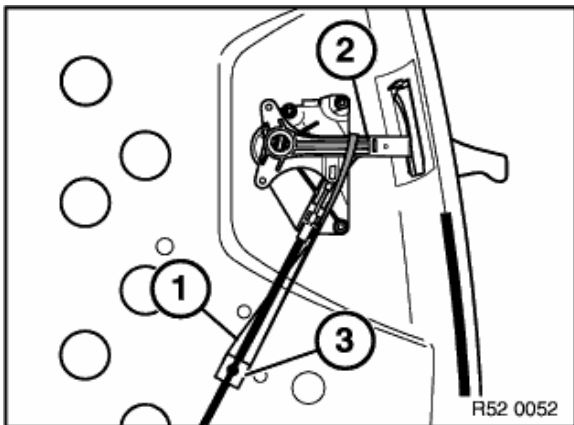
Front Passenger's Seat Only:
 Disconnect connecting rod and remove second control.

Installation:

Attach connecting rod to be free of play.



Squeeze retainers (1) together and pull off lever.
 Disconnect Bowden cable and remove lever.

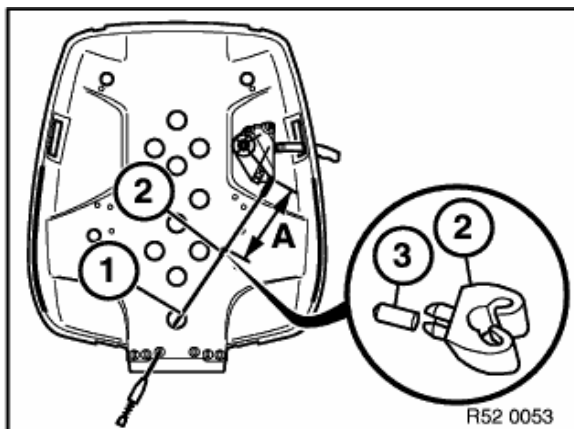


Installation:

Fit rubber ring (1) between outside lever (2) and retaining clip (3) (rattling noises).

Note:

Operation 52 10 051 - replacing backrest release lever - ends here.



Lift Bowden cable (1) out of retaining clip (2).

Note:

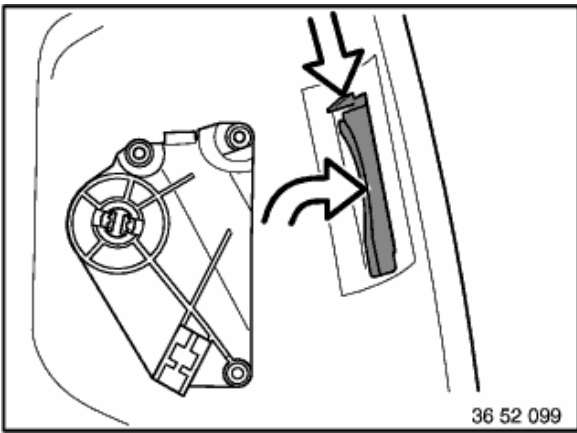
Operation 52 10 062 - replacing backrest release cable - ends here.

Drive through expanding pin (3) with punch and lift out retaining clip (2).

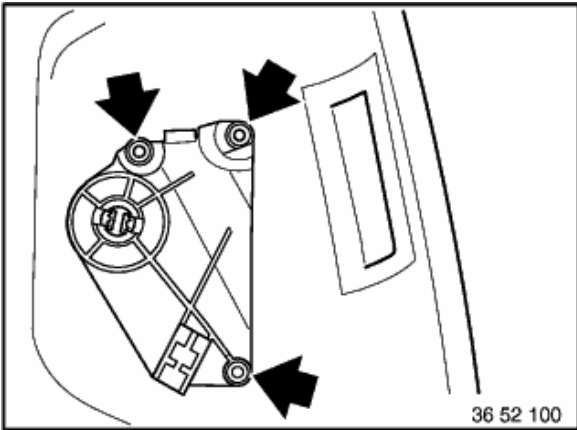
Installation:

Retaining clip (2) to plate = distance (A).

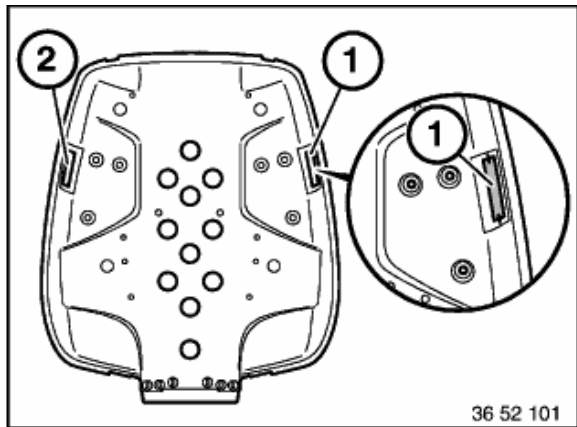
(A) = approx. 100 mm



Unclip plate.



Drill off rivets and remove plate.

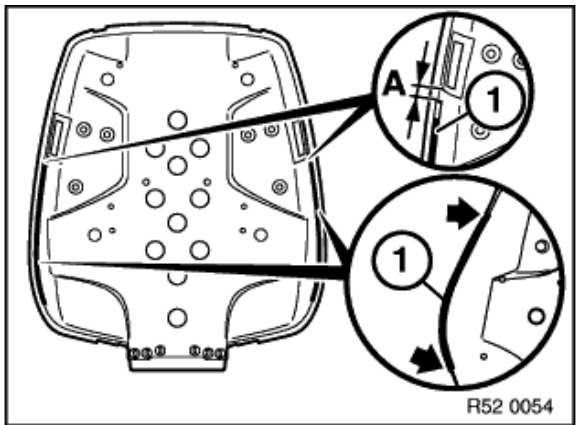


Installation:

Saw out slot for the unlocking lever at the marked location.

Only saw outside slot.(1) out of driver's seat.

Saw out slots (1 and 2) for passenger's seat.



Version with leather / artificial leather cover:

Where applicable, unfasten clips and pull out filler (1) on left or right sides.

Installation:

Secure clips (6 mm long) with air pressure tacker (sourcing reference BMW Parts Service).