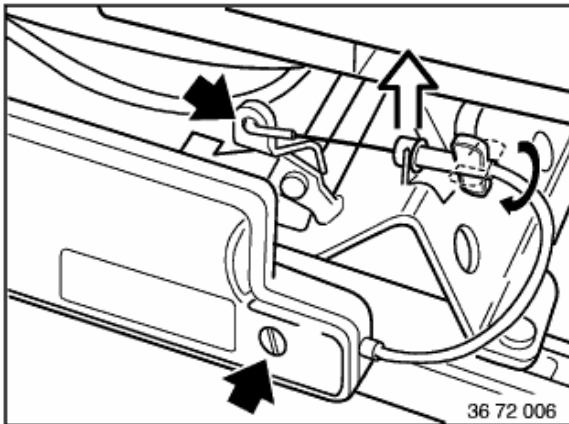


Caution!

Note safety regulations for handling airbag modules and pyrotechnical seat belt tensioners, refer to MG 72

Inexpert handling can trigger off the airbag or the belt tensioner and thus cause injury.

Removing front seat, refer to Group 52



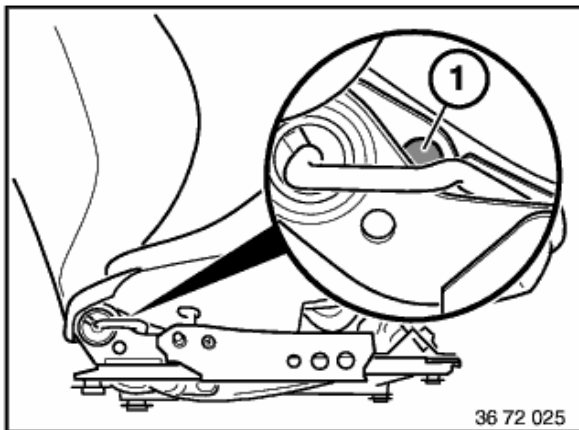
Mechanical belt tensioner:

Caution!

Deactivate belt tightener:

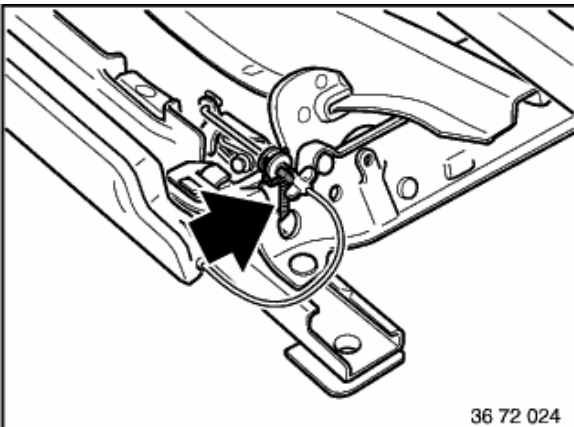
Turn Bowden cable so that it is perpendicular to seat surface, press out holder and disconnect.

Electrically adjustable seats - screw in screw.

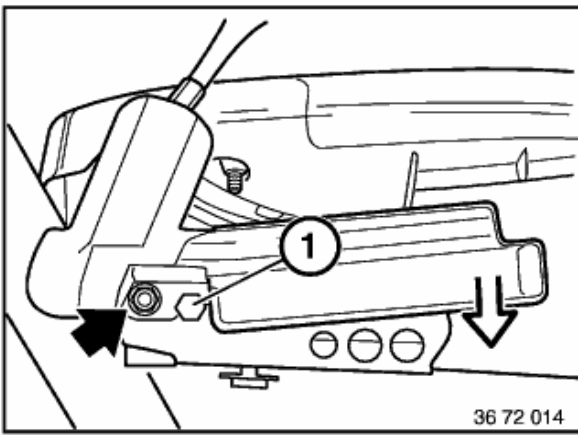
**Caution!**

Replacing belt-lock tightener on manually adjustable seat:

If the stop buffer (1) is not fitted to the seat only fit a seatbelt tensioner in accordance with parts microfiche - Edition 1/92 - , refer to Service Information Main Group. 72

**Caution!**

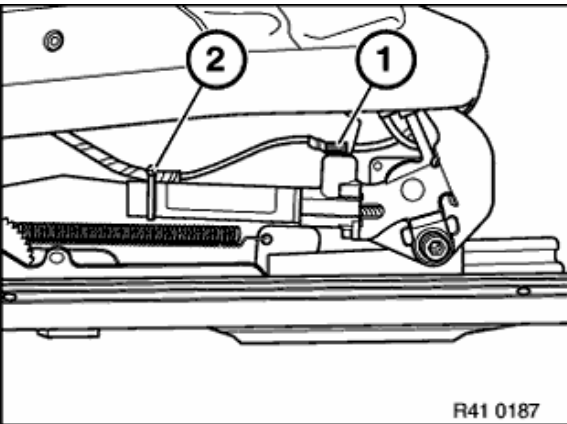
Further secure locking cable with a cable strap if it is not fitted tightly.



Unscrew nut and take off belt tightener.

Installation:

Press seatbelt tensioner against stop (1) and tighten nut.
Tightening Torque,
refer to Technical Data 72 11 1AZ

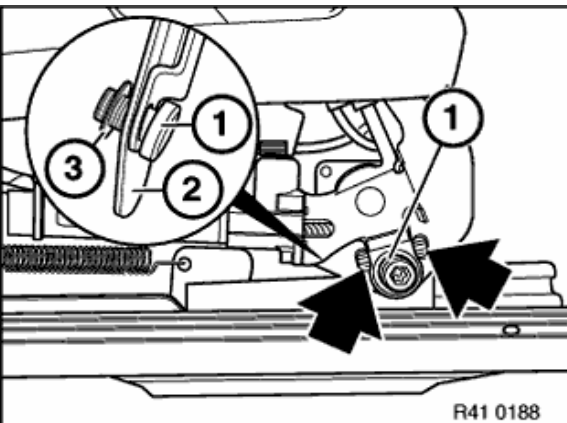


Pyrotechnical belt tensioner:

Remove orange plug connection (1) for belt tensioner.
Open cable connector (2).

Installation:

Secure wire with cable tie (2) so that orange plug connection not under strain.

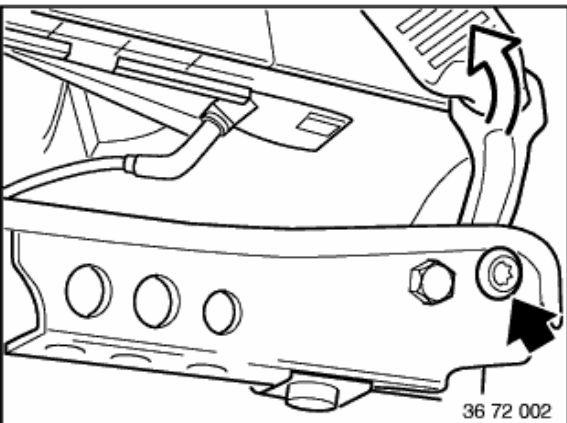


Unscrew bolt (1).

Remove belt tensioner.

Tightening Torque,
refer to Technical Data 72 11 1AZ
Note coding of belt tensioner at seat:

- 1. Bolt
- 2. Belt tensioner
- 3. Lock washer

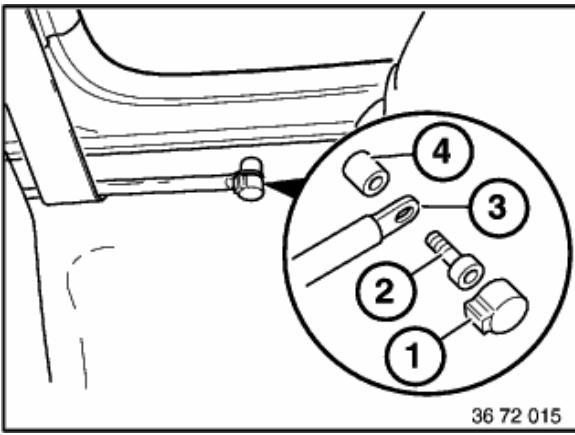


4-door models:

Release safety belt screw from seat.

Installation:

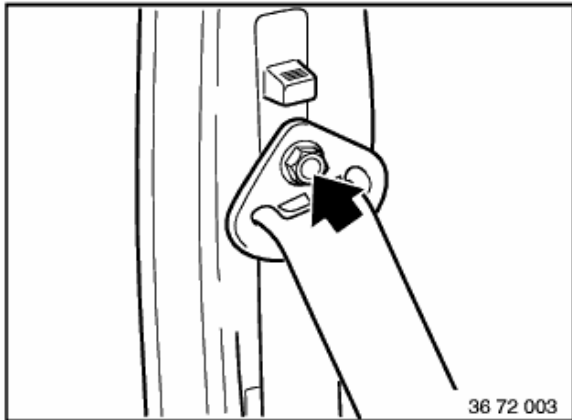
Tightening Torque,
refer to Technical Data 72 11 1AZ



2-door models:
 Remove cap (1).
 Unscrew bolt (2) and remove belt from rod (3).

Installation:

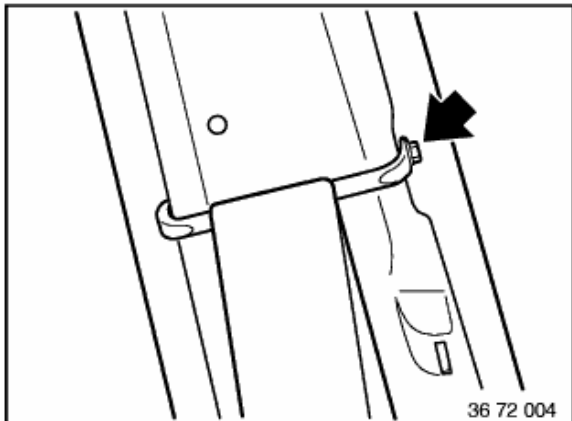
Install bush (4).
 Tightening Torque,
 refer to Technical Data 72 11 1AZ



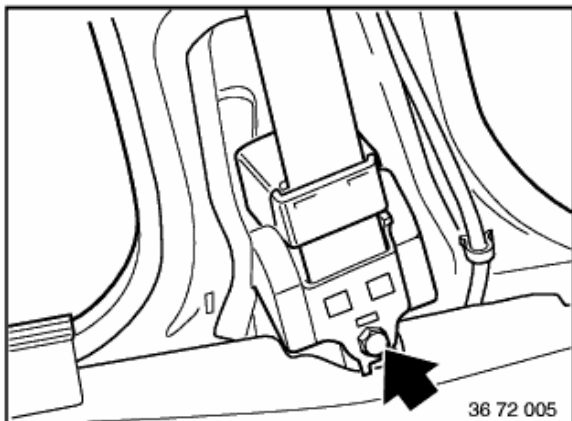
Take off cap.
 Unscrew nut.
 Remove B-pillar panelling, refer to Group 51

Installation:

Tightening Torque,
 refer to Technical Data 72 11 6AZ



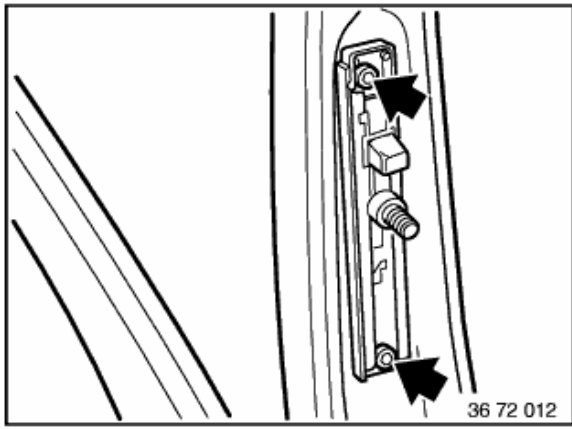
Unscrew bracket.



Unscrew automatic reel.

Installation:

Tightening Torque,
 refer to Technical Data 72 11 1AZ



If applicable, unscrew height adjuster.

Installation:

Tightening Torque,
refer to Technical Data 72 11 2AZ