

Top up cooling system, bleed cooling system,
refer to 17 00 005

Check cooling system for water tightness,
refer to 17 00 009

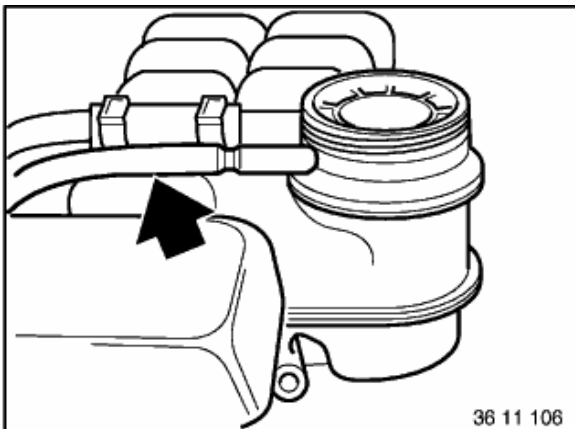
Set heater control to maximum temperature and set fan to low speed. This opens heating valves and installed auxiliary water pump runs if necessary. Run engine and flush out engine cooling circuit with three or four short bursts of throttle (approx. 4500 to 5000 rpm) (sealing cap open). While doing so, do not run engine for longer than approx. 30 sec. to prevent coolant from heating up and expanding. If coolant level in expansion tank drops during this top up expansion tank to the brim with coolant. Attach screw cover and run engine to heat it up until thermostat opens.



Caution!

Danger of scalding!

Safety information: Only open sealing cap when engine is cooled down.



Separate expansion tank

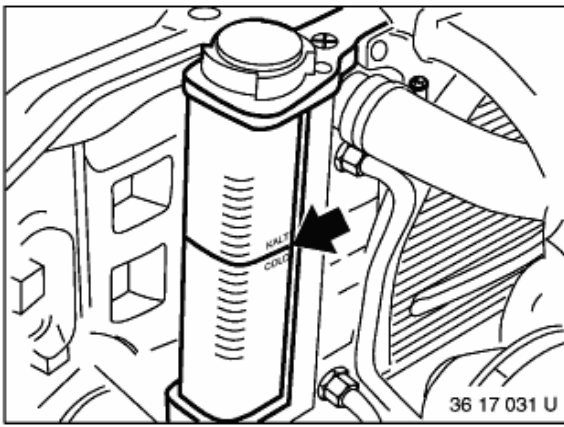
To check coolant level, allow engine to cool down; coolant temperature may not exceed 30° C. If ambient temperature is above 30° C, then allow engine to cool down at least to ambient temperature.

Check coolant level and top up coolant if necessary until liquid level is at marking on expansion tank.

Note:

Tank mark indicates the fluid level at approx. 20 °C.

Use only recommended coolant, refer to
BMW Service Operating Fluids Main Group 17.



Integrated expansion tank

To check coolant level, allow engine to cool down; coolant temperature may not exceed 30° C. If ambient temperature is above 30° C, then allow engine to cool down at least to ambient temperature.

Check coolant level and top up coolant if necessary until liquid level is at marking on expansion tank.

Note:

Tank mark indicates the fluid level at approx. 20 °C.

Use only recommended coolant, refer to BMW Service Operating Fluids Main Group 17.